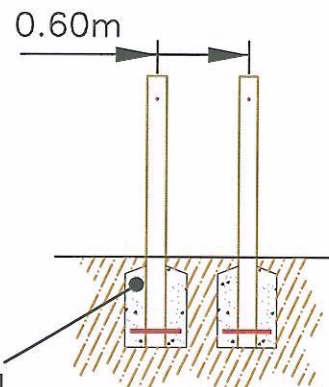
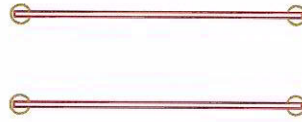


Side Elevation



End Elevation

steel dowel
concrete backfill



Plan



Boyd Sport & Play Limited
t/a **sportsequip.co.uk**

The Manor, Tur Langton,
Leicestershire, LE18 0PJ
t: 01858 545789
f: 01858 545890
Web: www.sportsequip.co.uk

Product: Parallel Bars

Ref No: FT 912

Scale: 1 : 50